

CPU



File: CPU.kicad\_sch

INT-ADD



File: INT-ADD.kicad\_sch

DRAM-EPROM

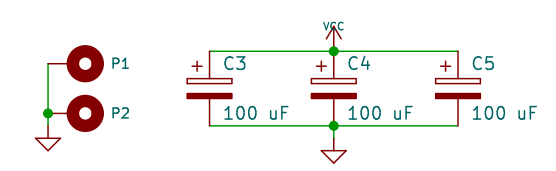
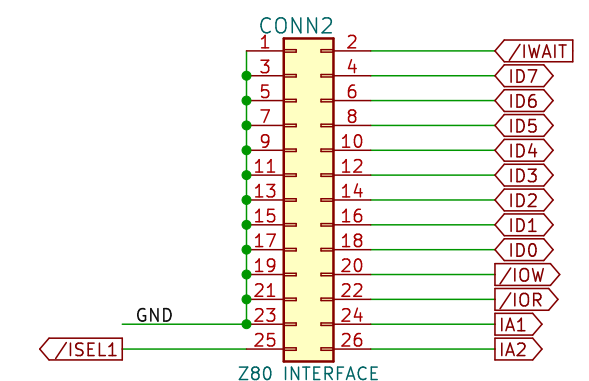
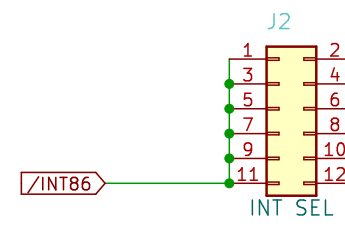
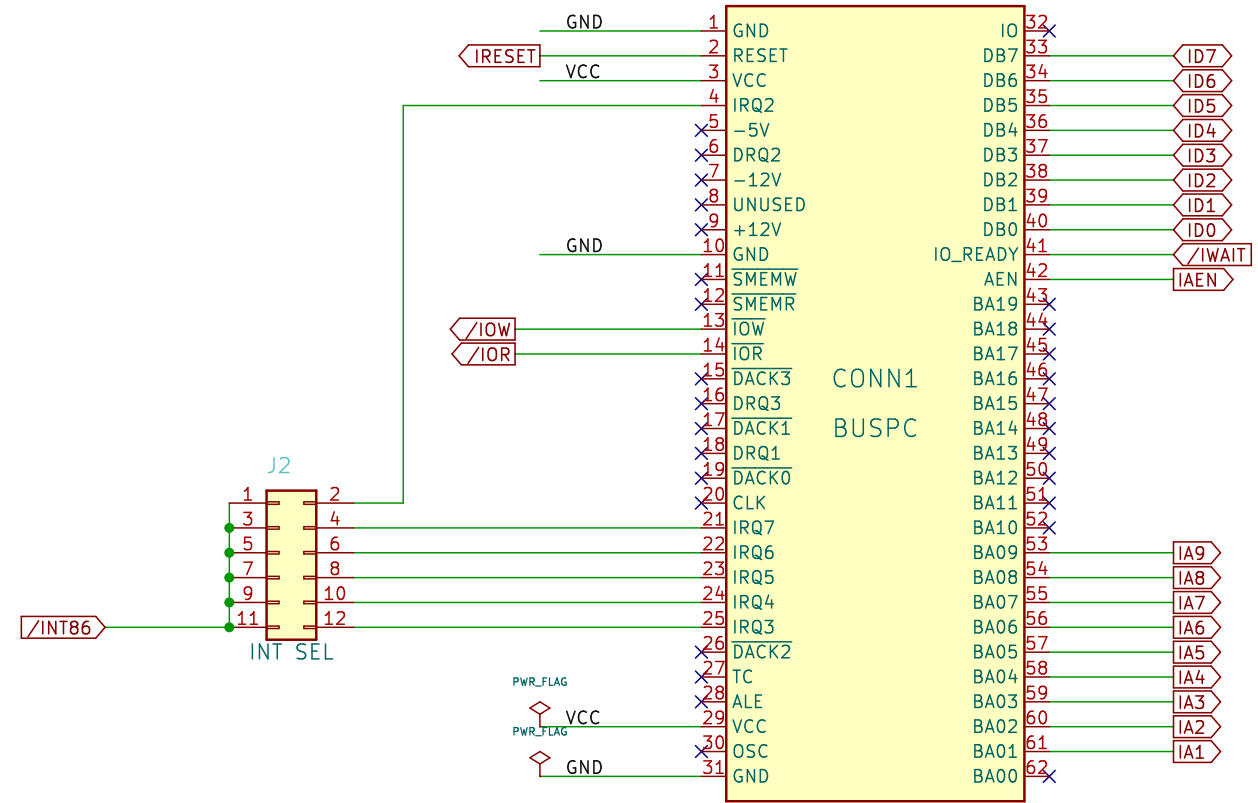


File: DRAM-EPROM.kicad\_sch

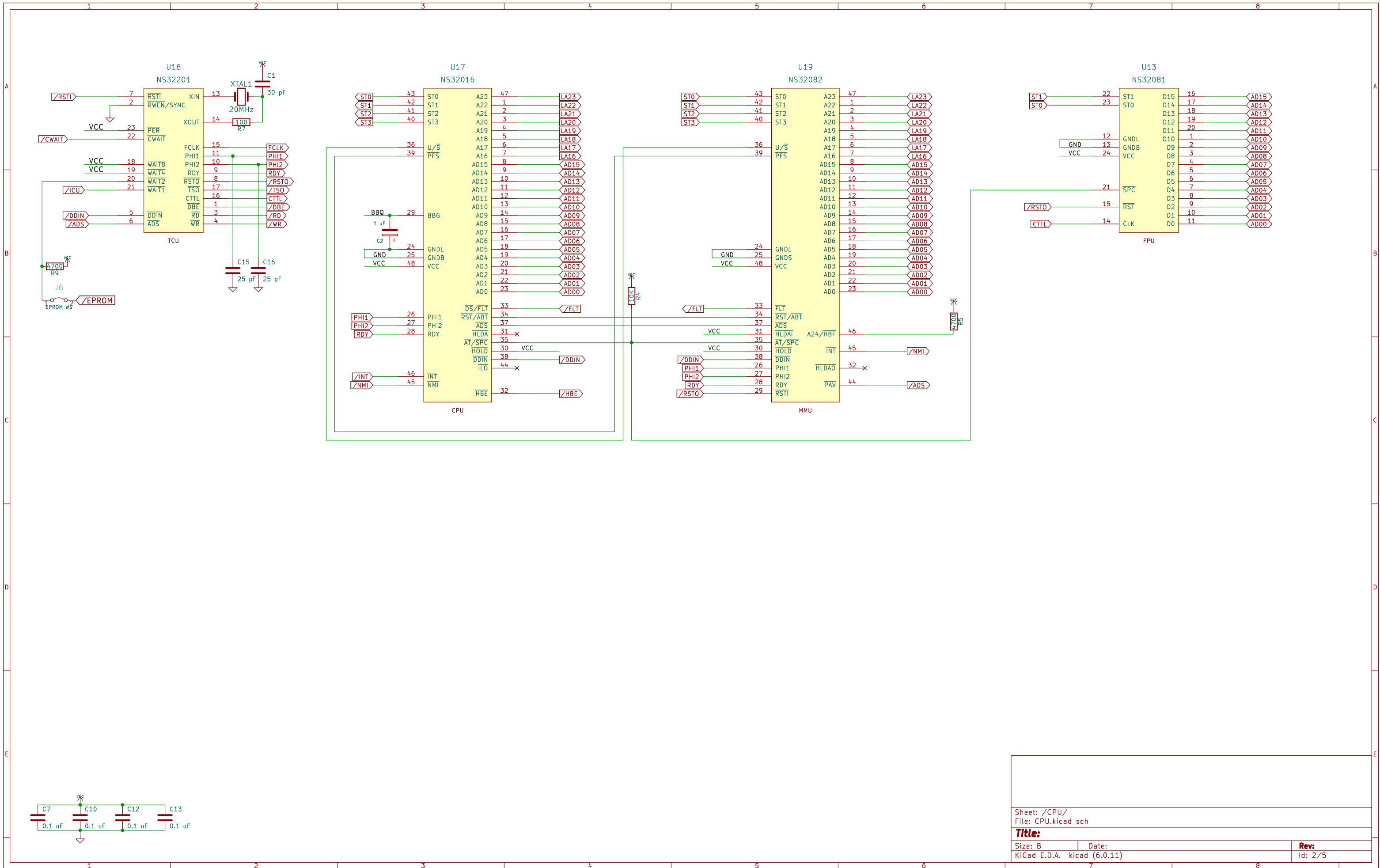
DRAM-CON

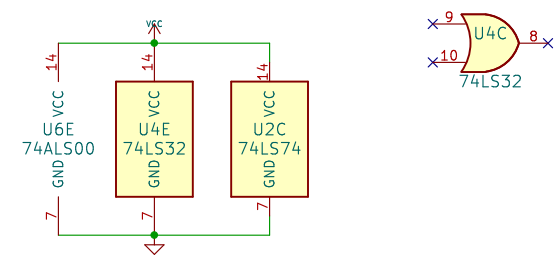
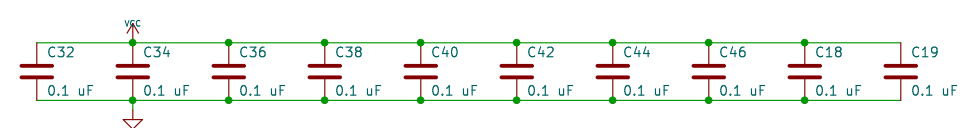
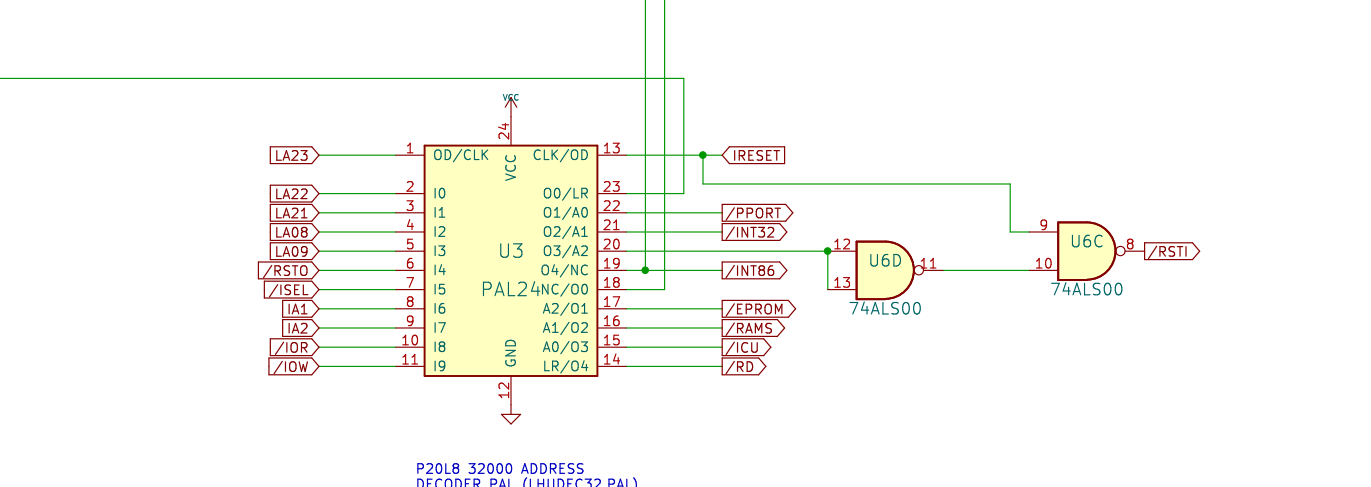
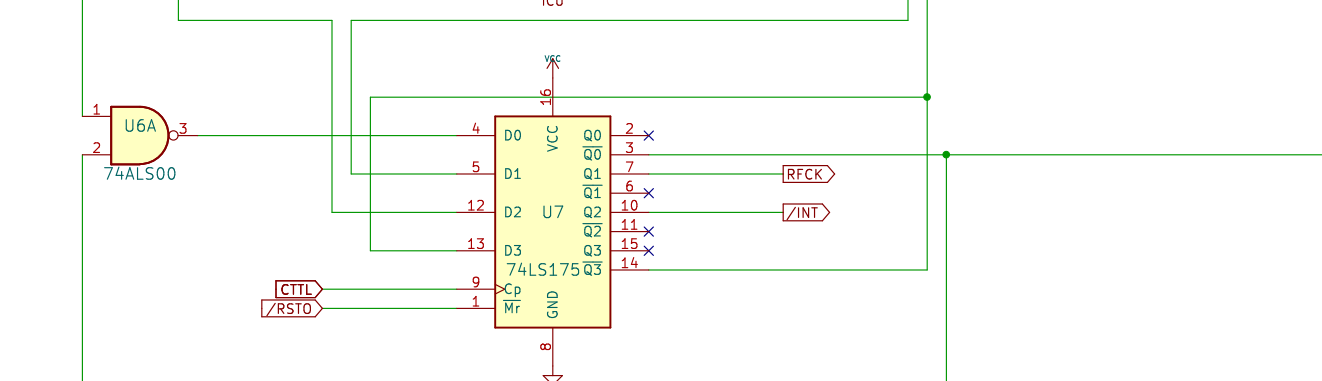
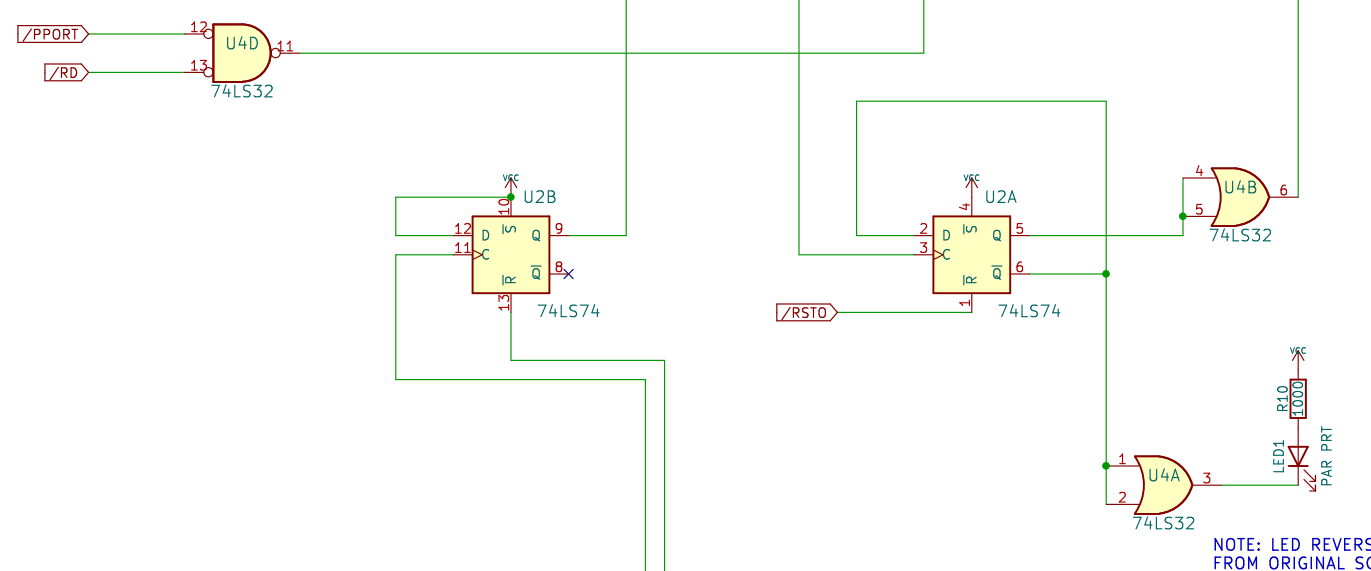
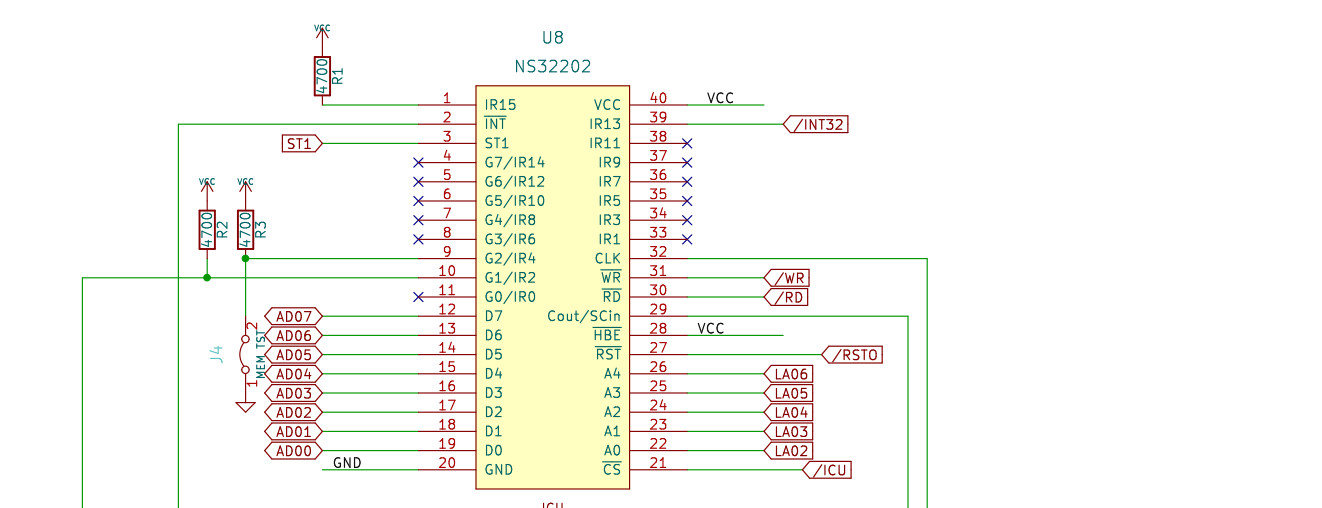
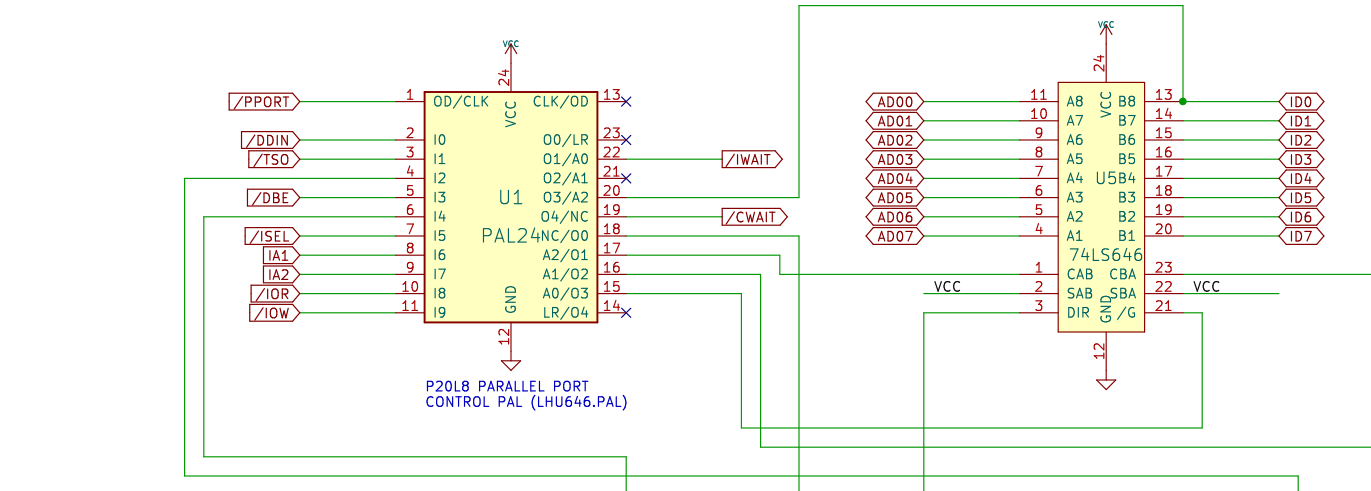
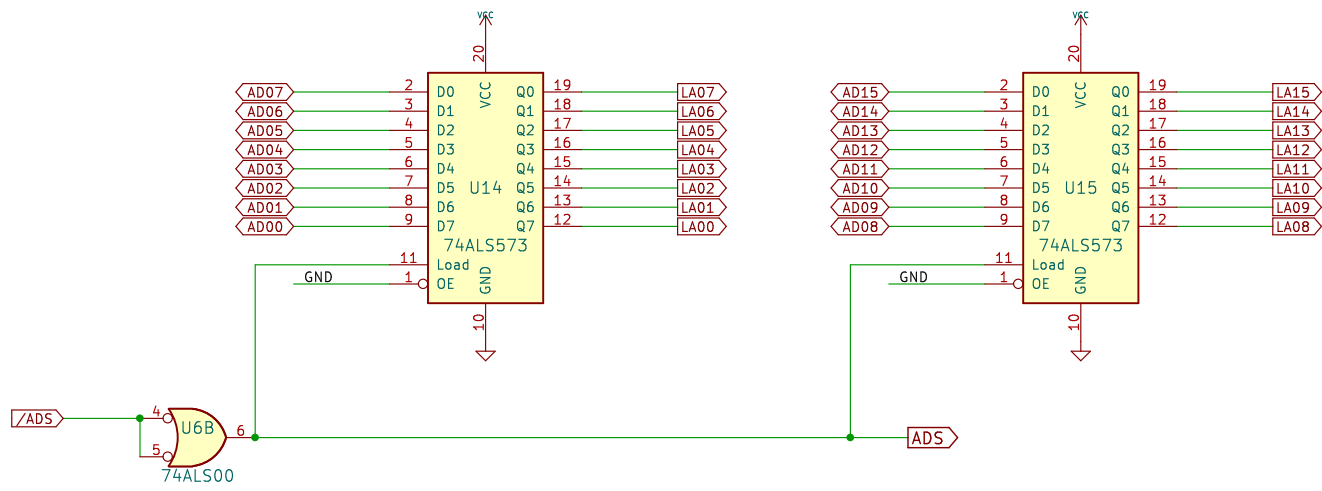


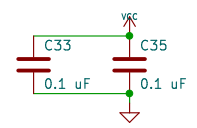
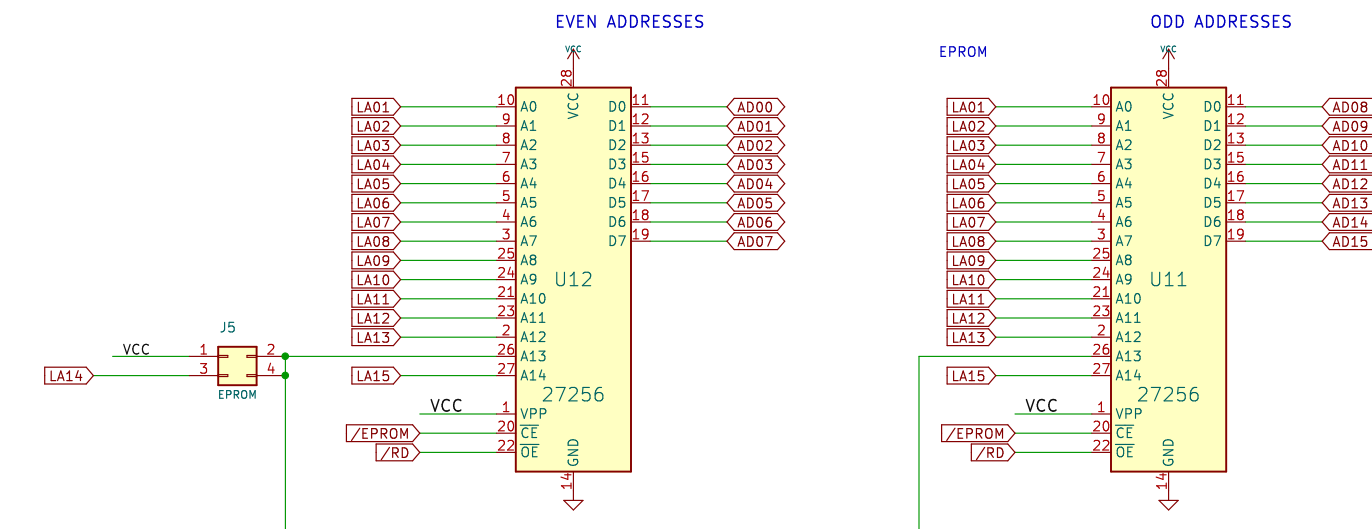
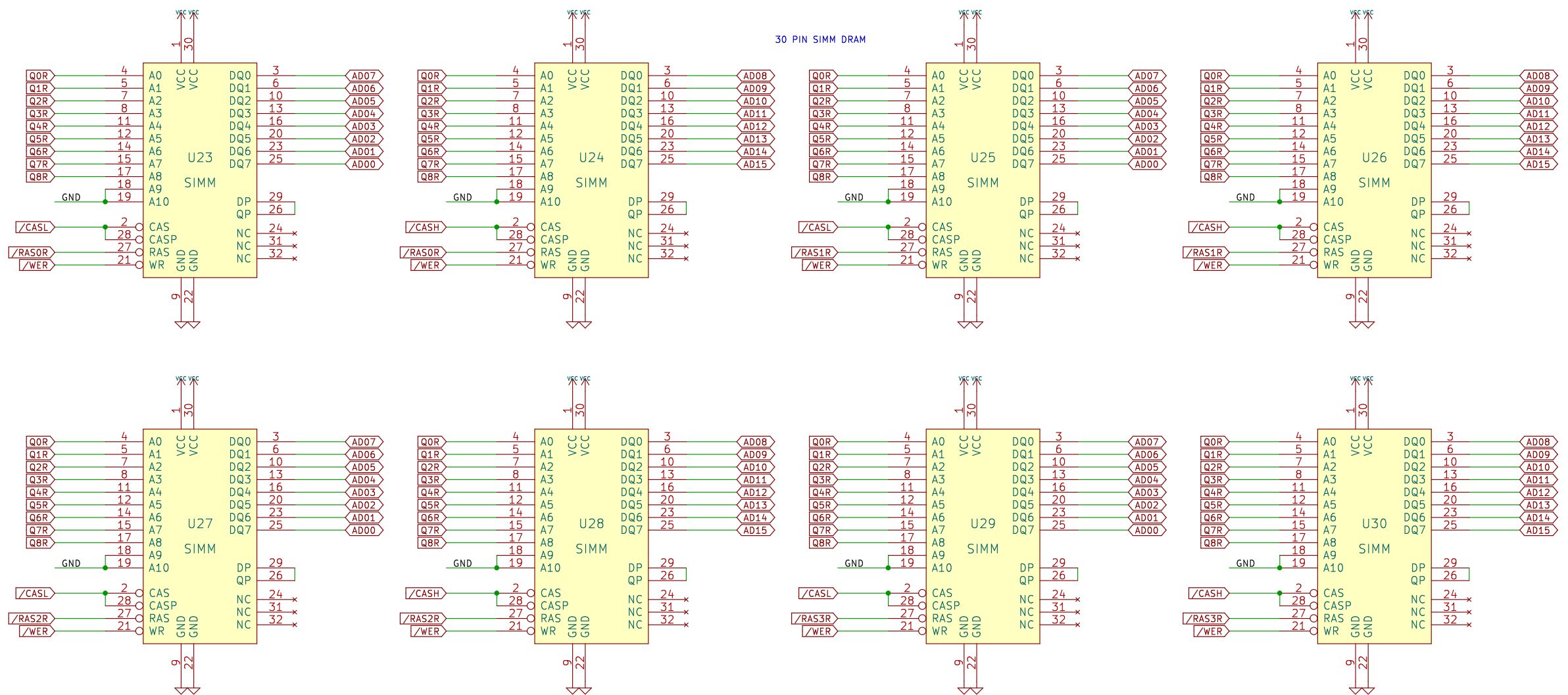
File: DRAM-CON.kicad\_sch

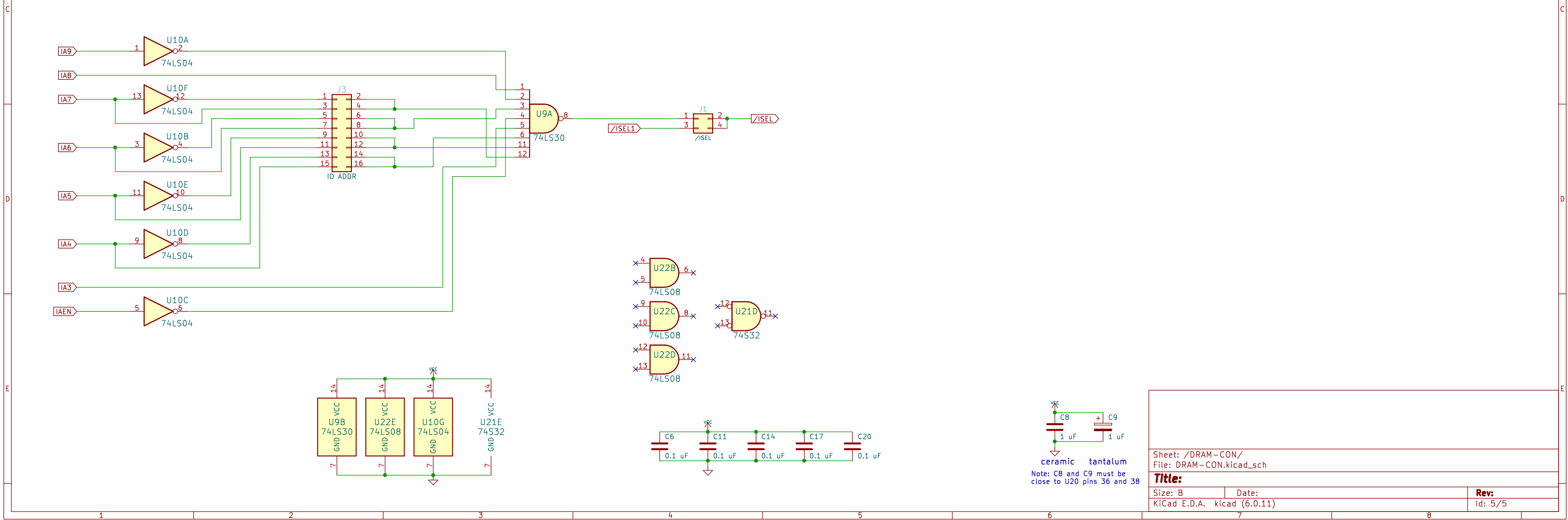
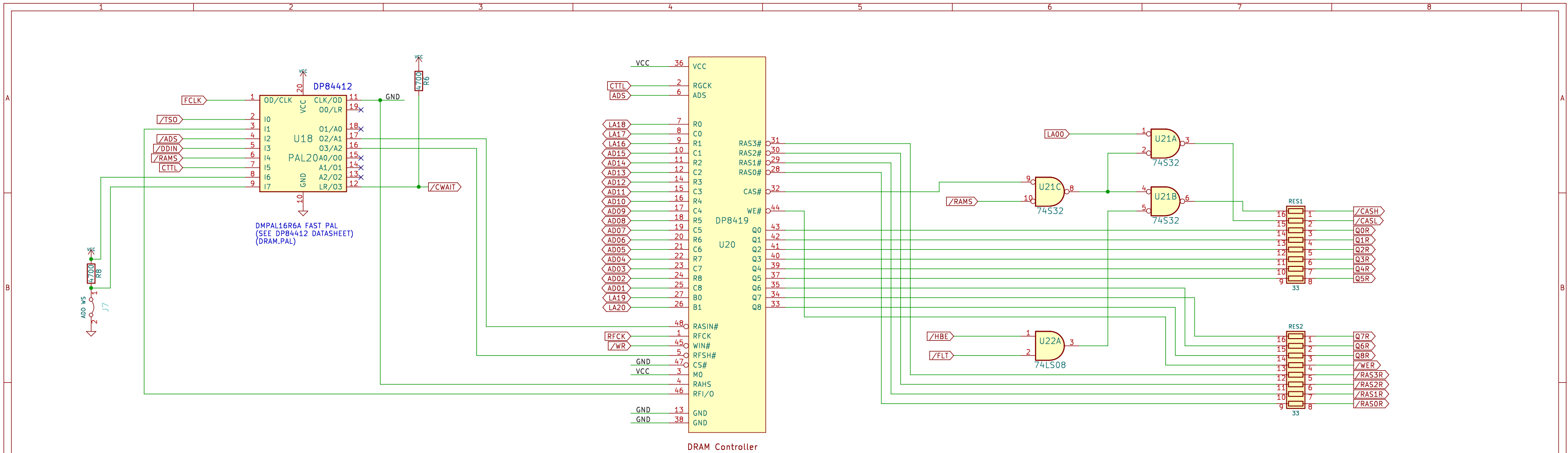


Sheet: /  
 File: PD32.kicad\_sch  
**Title:**  
 Size: A Date: Rev:  
 KiCad E.D.A. kicad (6.0.11) Id: 1/5









Sheet: /DRAM-CON/ File: DRAM-CON.kicad_sch		
<b>Title:</b>		
Size: B	Date:	Rev:
KiCad E.D.A. kicad (6.0.11)		Id: 5/5